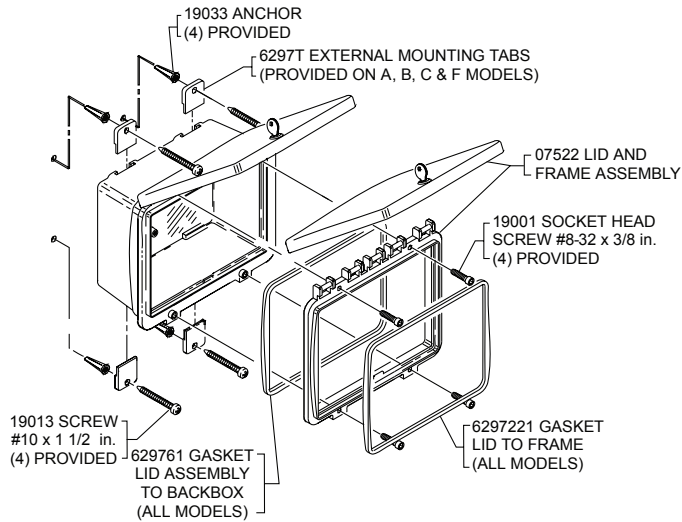




# Safety Technology International

European Office  
 Taylor House • 34 Sherwood Road • Bromsgrove  
 Worcestershire • B60 3DR • England  
 Tel: 44 (0) 1527 520 999 Fax: 44 (0) 1527 501 999  
 E-mail: info@sti-emea.com • Web: www.sti-emea.com

USA - Headquarters  
 2306 Airport Road • Waterford, Michigan 48327-1209  
 Phone: 248-673-9898 • Fax: 248-673-1246  
 Toll Free: 800-888-4784 • E-mail: info@sti-usa.com  
 Web: www.sti-usa.com



## TYPICAL INSTALLATION OF STI-7510 AND STI-7511

Internal dimensions of all six enclosures are 8.50 in. (216mm) wide and 6.37 in. (160mm) high. For depth dimensions, see pictorial views.

## INSTALLATION PROCEDURE

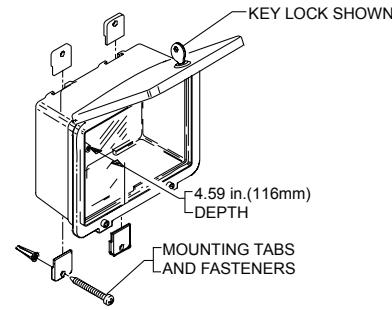
1. Insert the (4) mounting tabs into the backbox slots with A, B, C, and F models.
2. Using the installed mounting tab holes or internal mounting bosses as a template, mark and drill (4) 1/4 in. diameter holes and complete installation as shown.

## CLEANING INSTRUCTIONS

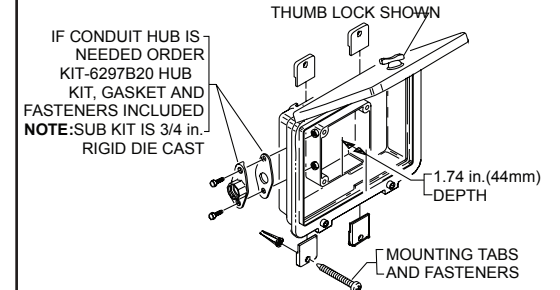
Rinse with water to remove abrasive dust and dirt. Wash with soap or mild detergent, using a soft cloth. **(Do not scrub or use brushes or abrasives.)** Rinse once more, then dry using a soft cloth or chamois.

To remove grease or wet paint, rub gently with a cloth wetted thoroughly with naphtha **(do not use razor blades or gasoline)**. Then wash and rinse.

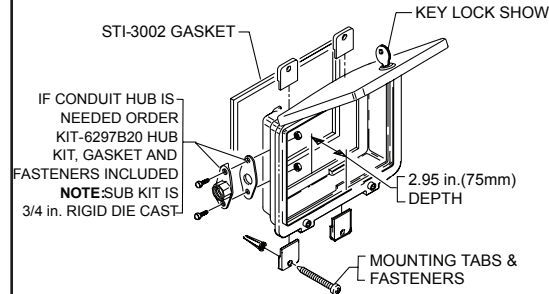
### STI-7510A WITH KEY LOCK STI-7511A WITH THUMB LOCK SEALED BACKBOX WITH EXTERNAL MOUNTING



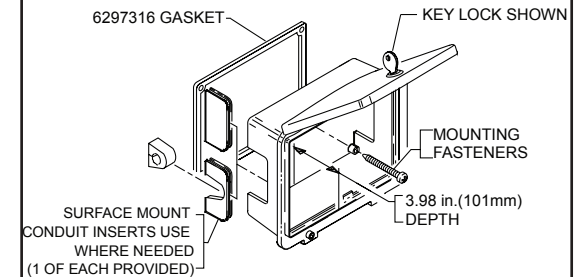
### STI-7510B WITH KEY LOCK STI-7511B WITH THUMB LOCK SEALED BACKBOX WITH EXTERNAL MOUNTING AND MOLDED DOUBLE GANG OUTLET BOX



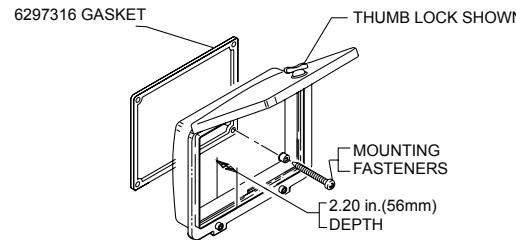
### STI-7510C WITH KEY LOCK STI-7511C WITH THUMB LOCK OPEN BACKBOX WITH EXTERNAL MOUNTING



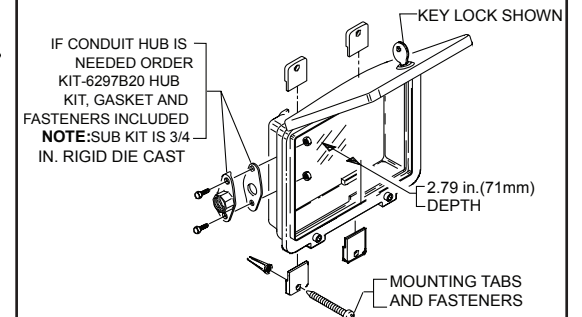
### STI-7510D WITH KEY LOCK STI-7511D WITH THUMB LOCK OPEN BACKBOX WITH INTERNAL MOUNTING



### STI-7510E WITH KEY LOCK STI-7511E WITH THUMB LOCK OPEN BACKBOX WITH INTERNAL MOUNTING



### STI-7510F WITH KEY LOCK STI-7511F WITH THUMB LOCK SEALED BACKBOX WITH EXTERNAL MOUNTING



## INSTALLATION OF STI-7510 & STI-7511 POLYCARBONATE ENCLOSURES

All specifications and information shown were current as of publication, and are subject to change without notice.