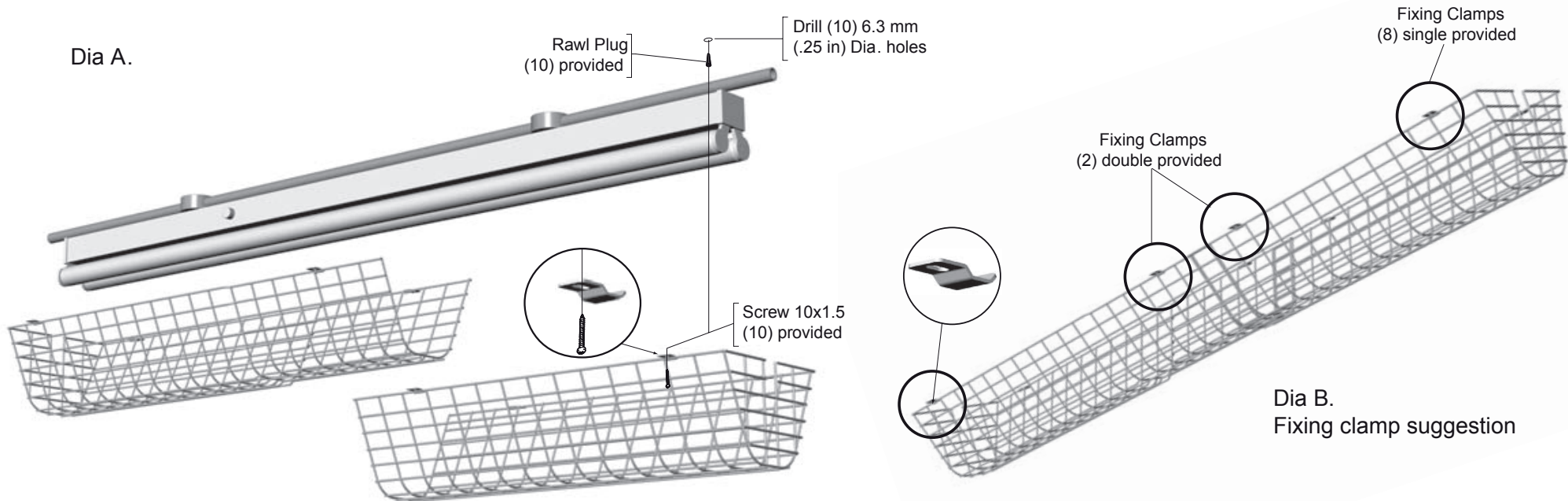


FLUORESCENT LIGHTING CAGES

Flush mounted fluorescent lighting cages are constructed from plastic coated, 9 gauge galvanised steel rod and can cope with the severest of abuse from vandalism or accidental damage. Two versions are available, each fully adjustable - 1200 to 1500mm and 1800 to 2400mm. Twin-tube lighting assemblies can be easily accommodated. Each cage is supplied with all the necessary brackets and fixings to ensure it can easily be installed over the majority of fluorescent lighting fixtures.

INSTALLATION DATA FOR THE STI-9880 & STI-9881

1. The fluorescent cages come in two parts. They have been designed to adjust to the length specified.
2. Position the cage centrally over the fitting.
3. Mark and drill (10) holes. See dia. A for drill hole size and dia. B for recommendation of where to position the fixing clamps.



 Safety Technology International
Taylor House, 34 Sherwood Road, Bromsgrove
Worcestershire, B60 3DR, England
Telephone: +44 (0) 1527 520 999
Fax: +44 (0) 1527 501 999
E mail: info@sti-emea.com Web: www.sti-emea.com 

ID9880_9881_series · Revised 02/17-041 · Printed in England

Need help? Call our Technical Support Team on +44 (0)1527 520 999